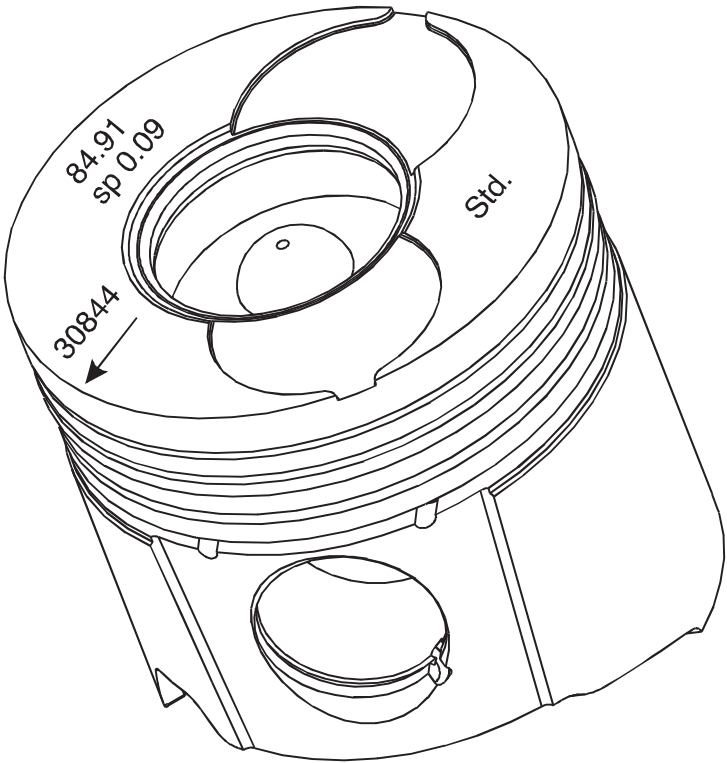


marks on top of the piston



Piston Diameter	(84.91)
The installation clearance in mm corresponds to the necessary difference in diameter between the cylinder bore and the piston skirt.	(sp 0.09)
Piston Direction of Mounting	(←)
Production Number	(30844)
Standart or Oversize Dimension in Inches or mm as Std., 020, 040, ...	(std.)

